

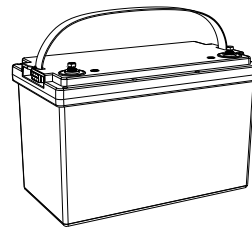
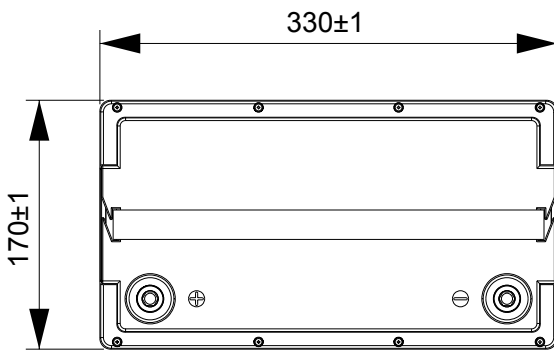
HUB LiON



LITHIUM
ION BATTERY

HUB-12.8-100-LFP-31CT

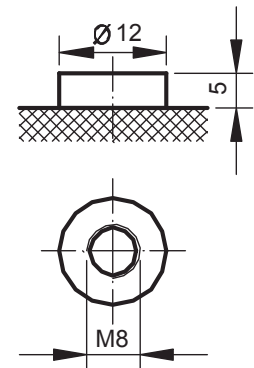
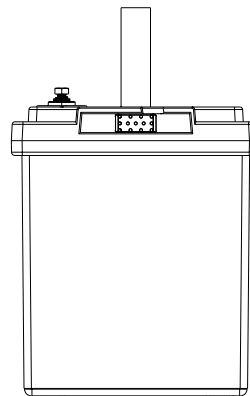
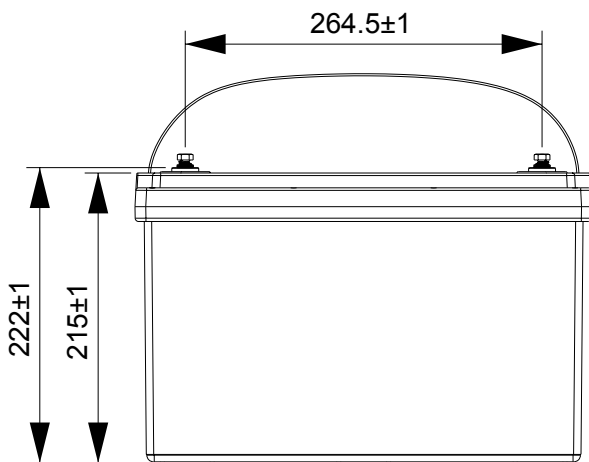
TECHNICAL DRAWING



BENEFITS AND ADVANTAGES

Start at the Core

- High Reliability
- Fast and Efficient charge/discharge cycles
- Deep Discharge capability
- Fully Recycle capability
- Light weight
- Environmentally friendly
- UL Approved Cells
- Safety UN38.3 approved
- UN3480, CLASS 9



www.hubpower.ca

4238 Lozells Ave #114 Burnaby, BC V5A 0C4

Phone: (604) 420-7737

Email: sales@hubpower.ca

ELECTRICAL SPECIFICATIONS

Nominal Voltage	12.8V
Amp Hour Capacity	100AH
Reserve Capacity @ 25A	240 min
Energy Density	1280Wh
Resistance - Milliohms	< 15
Efficiency - round trip	> 99.5%
Self Discharge per Month	< 3%
**Max 4 - series connections	12-48V
**Max 16 - parallel connections	100-1600AH

**DO NOT configure series and parallel connections simultaneously

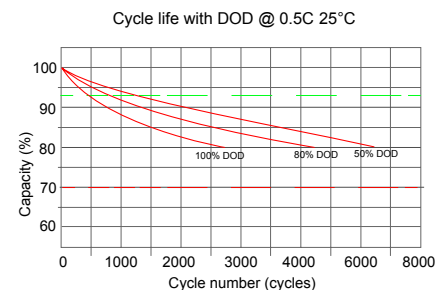
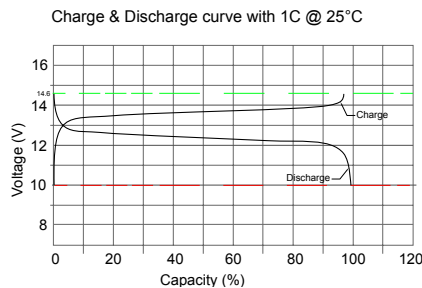
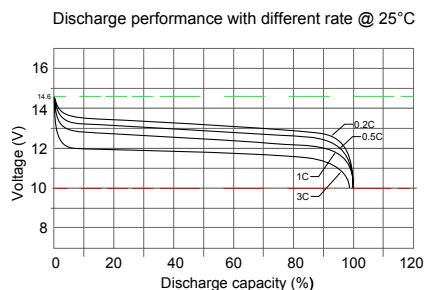
TEMPERATURE SPECIFICATIONS

Discharge Temperature	(-20 to 60C)
Charge Temperature	(-20 to 45C)
Storage Temperature	(-5 to 35C)
BMS High Temp Cut Off	95C
BMS Reconnect Temp	75C

CHARGE SPECIFICATIONS

Recommend Charge current	10A - 50A
Max Charge current	100A
Charge current (0 to -10C)	<0.1C
Charge current (-20 to -10C)	<0.05C
Recommended Charge voltage	14.2 - 14.6V
BMS High voltage disconnect	14.8V
BMS High voltage reconnect	14.8V
Balancing voltage	≥3.50V/cell

PERFORMANCE CHARACTERISTICS



DISCHARGE SPECIFICATIONS

Max Cont Discharge current	100A
Peak Discharge Current 3C	300A
BMS Current Cut Off (10S)	>120A
BMS Current Cut Off (3S)	>150A
BMS Current Cut Off	Load Short circuit
BMS Low Voltage Cut Off	8.8V
BMS Low Reconnect Voltage	12V

MECHANICAL SPECIFICATIONS

Dimensions	12.99 x 6.69 x 8.74in
L x W x H	330 x 170 x 222mm
Weight	29.78 lbs (13.5KG)
Terminal Type	M8
Terminal Torque	90 in lbs (10NM)
Case Material	ABS
Case IP Rating	IP56
Cell Type - Chemistry	LiFePO4
Cell Type	Prismatic

SAFETY TESTED

Safety Ratings	CB / CE UN38.3 @ cell UL1973 @ cell
Shipping Classification	UN3480, CLASS 9