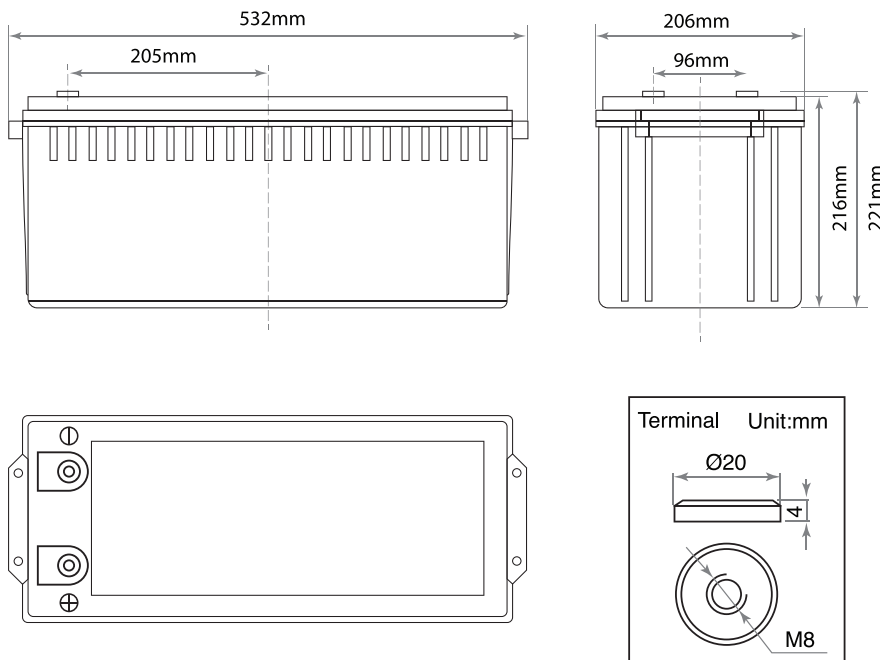


# HUBAGM

The HB series sealed lead-acid batteries, use high purity lead and advanced battery separators, in the manufacturing process. Our advantages include long cycle life and high reliability. The battery technology improves the deep cycling ability and greatly prolongs battery life with more than 600 cycles at 80% DOD.

The HB series are best suited for cycling and solar applications.

## TECHNICAL DRAWING



# AGM

ABSORBED GLASS MAT  
BATTERY

## HB4D-200

## BENEFITS AND ADVANTAGES

### Start at the Core

- Able to operate at -40C to +60C
- DOD @ 50%, 1200 cycles
- Integrated design to ensure the best uniformity and reliability
- High purity lead, ensures long life and excellent performance
- IEC 60896

## APPLICATIONS

- Off Grid Cabins & Homes
- Marine / RV
- Hybrid Solar & Grid Tie
- Wheel Chairs, Golf Carts
- Telecom Systems
- Off-Grid Industrial
- Micro Grid Systems

[www.hubpower.ca](http://www.hubpower.ca)

4238 Lozells Ave #114 Burnaby, BC V5A 0C4

Phone: (604) 420-7737

Email: [sales@hubpower.ca](mailto:sales@hubpower.ca)

## ELECTRICAL SPECIFICATIONS

|                         |         |
|-------------------------|---------|
| Nominal Voltage         | 12V     |
| Amp Hour Capacity C 20  | 200AH   |
| Amp Hour Capacity C 48  | 204.8AH |
| Amp Hour Capacity C 72  | 209.6AH |
| Amp Hour Capacity C 100 | 214.4AH |
| Amp Hour Capacity C 120 | 219.6AH |
| Amp Hour Capacity C 240 | 224.8AH |

## TEMPERATURE SPECIFICATIONS

| Cold temperature applications |             |
|-------------------------------|-------------|
| Discharge Temperature         | (-40C)      |
| Charge Temperature            | (-40C)      |
| Storage                       | -40C to 45C |

## CHARGE SPECIFICATIONS

|                           |       |
|---------------------------|-------|
| Recommend Charge current  | 20A   |
| Max Charge current        | 40A   |
| Bulk Charge V             | 14.7V |
| Absorption V              | 14.7V |
| Float V                   | 13.6V |
| Equalization V $\leq 50A$ | 14.7V |

## DISCHARGE SPECIFICATIONS

| Current Discharge Rates |        |
|-------------------------|--------|
| 20 hour rate            | 10A    |
| 10 hour rate            | 18A    |
| 5 hour rate             | 31.8A  |
| 1 hour rate             | 115.5A |

## MECHANICAL SPECIFICATIONS

|                       |                    |
|-----------------------|--------------------|
| Dimensions            | 20.9 x 8.1 x 8.7in |
| L x W x H             | 532 x 206 x 221 mm |
| Weight                | 128.8lbs (58.4KG)  |
| Terminal Type         | M8                 |
| Terminal Torque       | 90 in lbs (10NM)   |
| Case Material         | ABS                |
| Case IP Rating        | IP56               |
| Cell Type - Chemistry | AGM                |
| Cell Type             | Flat Plate         |

## SAFETY TESTED

|                |          |
|----------------|----------|
| Safety Ratings | IEC60896 |
|                | CE       |
|                | UL       |

## PERFORMANCE CHARACTERISTICS

