



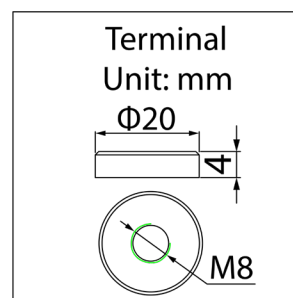
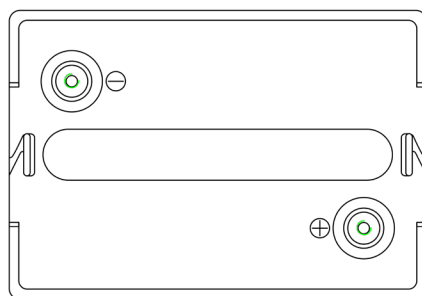
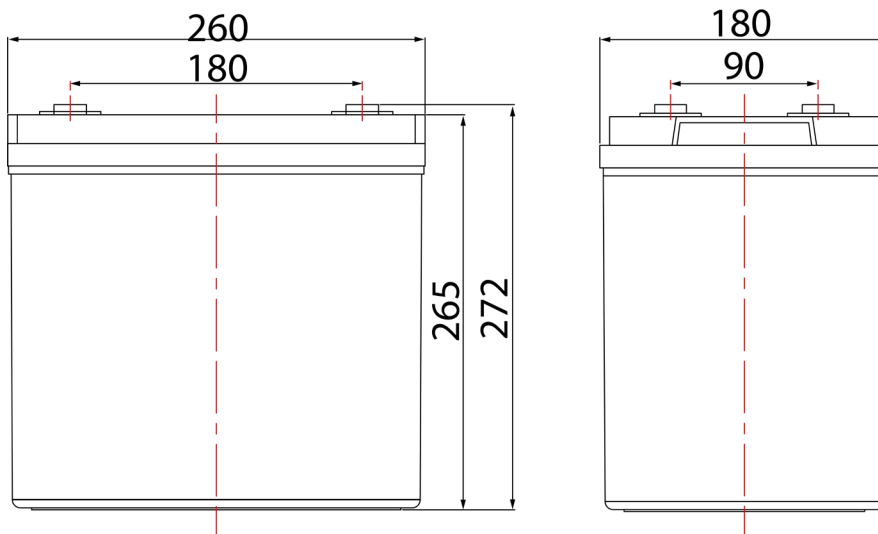
# LEAD CARBON BATTERY

## HC6-240

# HUB CARBON

The HC series lead-carbon batteries use activated carbon and graphene in the manufacturing process. Our advantages include long cycle life and significantly reduced battery sulfation. The battery technology improves the ability of rapid charge and discharge and greatly prolongs battery life with more than 2000 cycles at 80 % DOD. The HC series are best suited for cycling and partial state of charge (PSOC) applications.

## TECHNICAL DRAWING



## BENEFITS AND ADVANTAGES

### Start at the Core

- Able to operate at -40C to +60C
- DOD @ 50%, 3000 cycles
- Integrated design to ensure the best uniformity and reliability
- Long life and high stability in partial state of charge (PSOC)
- IEC 60896

## APPLICATIONS

- Off Grid Cabins & Homes
- Marine / RV
- Hybrid Solar & Grid Tie
- Wheel Chairs, Golf Carts
- Telecom Systems
- Off-Grid Industrial
- Micro Grid Systems

**SOLD EXCLUSIVELY THROUGH PROFESSIONAL INSTALLATION PARTNERS.**

## ELECTRICAL SPECIFICATIONS

Nominal Voltage	6V
Amp Hour Capacity C 20	240AH
Amp Hour Capacity C 48	246AH
Amp Hour Capacity C 72	252AH
Amp Hour Capacity C 100	258AH
Amp Hour Capacity C 120	262AH
Amp Hour Capacity C 240	265AH

## TEMPERATURE SPECIFICATIONS

Cold temperature applications	
Discharge Temperature	(-40C)
Charge Temperature	(-40C)
Storage	-40C to 45C

## CHARGE SPECIFICATIONS

Recommend Charge current	24A
Max Charge current	48A
Bulk Charge V	7.3
Absorption V	7.3
Float V	6.85V
Equalization V $\leq$ 84A	7.45

## DISCHARGE SPECIFICATIONS

Current Discharge Rates	
20 hour rate	12.90A
10 hour rate	23.44A
5 hour rate	41.80A
1 hour rate	138.40A

## MECHANICAL SPECIFICATIONS

Dimensions	10.2 x 7.1 x 10.43 in
L x W x H	260 x 180 x 265 mm
Weight	75.4 lbs (34.2KG)
Terminal Type	M8
Terminal Torque	90 in lbs (10NM)
Case Material	ABS
Case IP Rating	IP56
Cell Type - Chemistry	Lead Carbon AGM
Cell Type	Flat Plate

## SAFETY TESTED

Safety Ratings	IEC60896
	CE

## PERFORMANCE CHARACTERISTICS

