



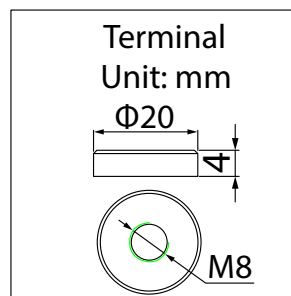
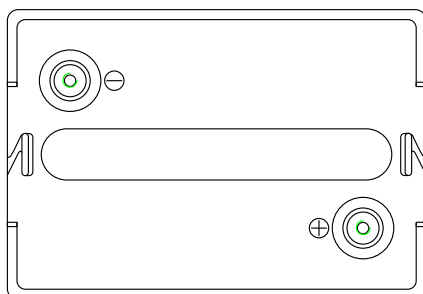
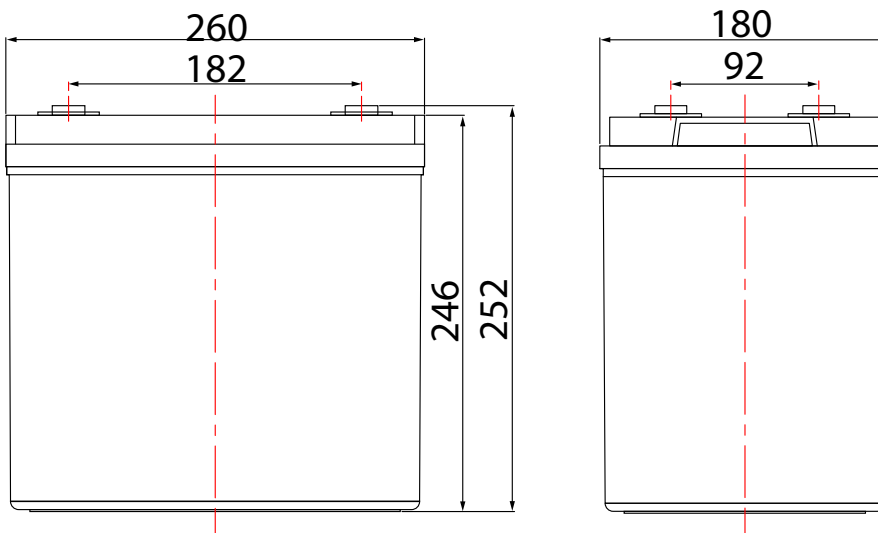
LEAD CARBON BATTERY

HC6-220

HUB CARBON

The HC series lead-carbon batteries use activated carbon and graphene in the manufacturing process. Our advantages include long cycle life and significantly reduced battery sulfation. The battery technology improves the ability of rapid charge and discharge and greatly prolongs battery life with more than 2000 cycles at 80 % DOD. The HC series are best suited for cycling and partial state of charge (PSOC) applications.

TECHNICAL DRAWING



BENEFITS AND ADVANTAGES

Start at the Core

- Able to operate at -40C to +60C
- DOD @ 50%, 3000 cycles
- Integrated design to ensure the best uniformity and reliability
- Long life and high stability in partial state of charge (PSOC)
- IEC 60896

APPLICATIONS

- Off Grid Cabins & Homes
- Marine / RV
- Hybrid Solar & Grid Tie
- Wheel Chairs, Golf Carts
- Telecom Systems
- Off-Grid Industrial
- Micro Grid Systems

www.hubpower.ca

4238 Lozells Ave #114 Burnaby, BC V5A 0C4

Phone: (604) 420-7737

Email: sales@hubpower.ca

ELECTRICAL SPECIFICATIONS

Nominal Voltage	6V
Amp Hour Capacity C 20	220AH
Amp Hour Capacity C 48	225
Amp Hour Capacity C 72	231
Amp Hour Capacity C 100	233
Amp Hour Capacity C 120	237
Amp Hour Capacity C 240	240

TEMPERATURE SPECIFICATIONS

Cold temperature applications	
Discharge Temperature	(-40C)
Charge Temperature	(-40C)
Storage	-40C to 40C

CHARGE SPECIFICATIONS

Recommend Charge current	22A
Max Charge current	44A
Bulk Charge V	7.3
Absorption V	7.3
Float V	6.85
Equalization V \leq 22A	7.45

DISCHARGE SPECIFICATIONS

Current Discharge Rates	
20 hour rate	10.37A
10 hour rate	20.89A
5 hour rate	37.30A
1 hour rate	123.30A

MECHANICAL SPECIFICATIONS

Dimensions	10.2 x 7.1 x 9.9in
L x W x H	260 x 180 x 252mm
Weight	66 lbs (30KG)
Terminal Type	M8
Terminal Torque	90 in lbs (10NM)
Case Material	ABS
Case IP Rating	IP56
Cell Type - Chemistry	Lead Carbon VRLA
Cell Type	Flat Plate

SAFETY TESTED

Safety Ratings	IEC60896
	CE

PERFORMANCE CHARACTERISTICS

