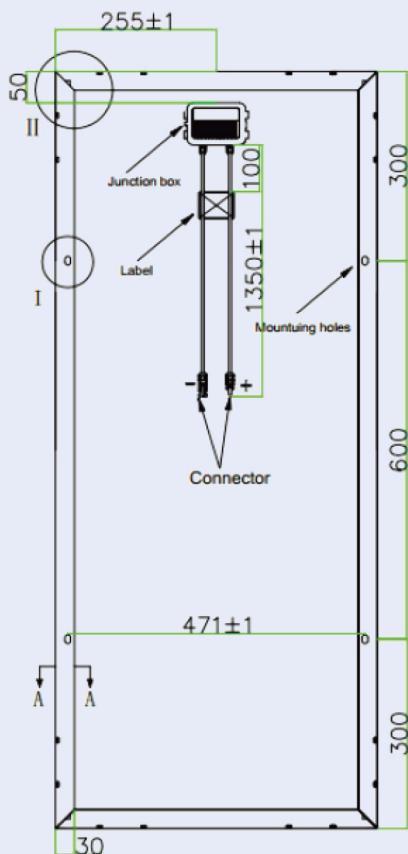


SP100-36M

100W MONO SOLAR PANEL

Product Specification

DIMENSIONS AND STRUCTURE



ELECTRICAL PARAMETERS AT STANDARD TEST CONDITIONS (STC:AM=1.5, 1000W/M2, CELLS TEMPERATURE 25°C)

Typical type	100W
Max power (Pmax)	100
Max power voltage (Vmp)	18.65
Max power current (Imp)	5.37
Open circuit voltage (Voc)	22.84
Short circuit current (Isc)	5.75
Cell efficiency (%)	18.8
Module Efficiency (%)	14.63
Max system voltage	DC 600(TUV)
Maximum Series Fuse Rating	15A

MECHANICAL DATA

Dimensions	1200x510x35mm
Weight	7kgs
Front glass	3.2 mm tempered glass
Output cables	4 mm ² length 900 mm
Connectors	MC4 compatible ≥IP65
Cell type	Mono Cell 156.75*156.75 mm
Number of cells	36 cells in series

TEMPERATURE CHARACTERISTICS

Temp.Coeff.of Isc(TK Isc)	0.05% / °C
Temp.Coeff.of Voc(TK Voc) °C Temp.Coeff.of	(-0.32%) / °C
Pmax(TK Pmax)	(-0.41%) / °C
Operating temperature	(-40 ~ +85%) °C
Normal operating cell temperature	45±2°C